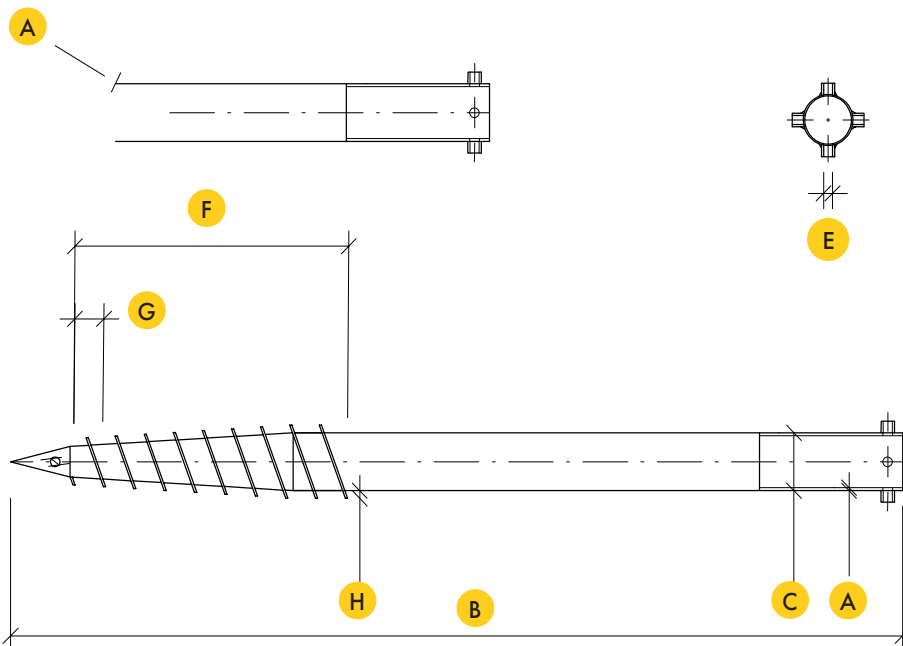


STOPDIGGING!®



| SGN | 67x865 | 76x865 | 89x865 | 89x865 | 76x1200 | 76x1600 | 114x900 | 89x2500 | |
|------------------------|--------|--------|--------|--------|---------|---------|---------|---------|----|
| Art no | 3002 | 3007 | 3003 | 3008 | 3009 | 3005 | 3006 | 3011 | |
| A Screw thickness | 2 | 4 | 2 | 3,5 | 4 | | | | mm |
| B Screw length | 865 | | | | 1200 | 1600 | 900 | 2500 | mm |
| C Outer diameter | 67 | 76 | 89 | | 76 | | 114 | 89 | mm |
| D Inner diameter | 64 | 68 | 85 | 82 | 68 | 68 | 106 | 81 | mm |
| E Thread, fixing holes | M12 | | | | | | M16 | M12 | |
| F Helix length | 280 | 400 | 280 | | 400 | 820 | 400 | 900 | mm |
| G Helix spacing | 40 | | | | | | | 60 | mm |
| H Helix height | 10 | | | | | | | | mm |

| | | | | | | | | | |
|----------------------|------|------|------|------|------|------|------|------|----|
| Compression capacity | 10,5 | 13,5 | 22,5 | 22,5 | 25,0 | 35,0 | 20,0 | 55,0 | kN |
| Tensile capacity | 4,5 | 7,0 | 10,5 | 10,5 | 12,5 | 21,5 | 10,5 | 41,5 | kN |
| Lateral capacity | 3,0 | 3,5 | 3,5 | 3,5 | 6,0 | 8,5 | 6,0 | 14,5 | kN |



CERTIFICATE

| | |
|------------------------------|-----------------|
| Material | ISO 630 FE 360A |
| Product | EN 1090 |
| Galvanization | EN 1461 |
| Manufacturing process | ISO 9001:2015 |
| Installation process | ISO 9001:2015 |
| * Expected min. service life | 100 years |



* Terms apply, see warranty terms